



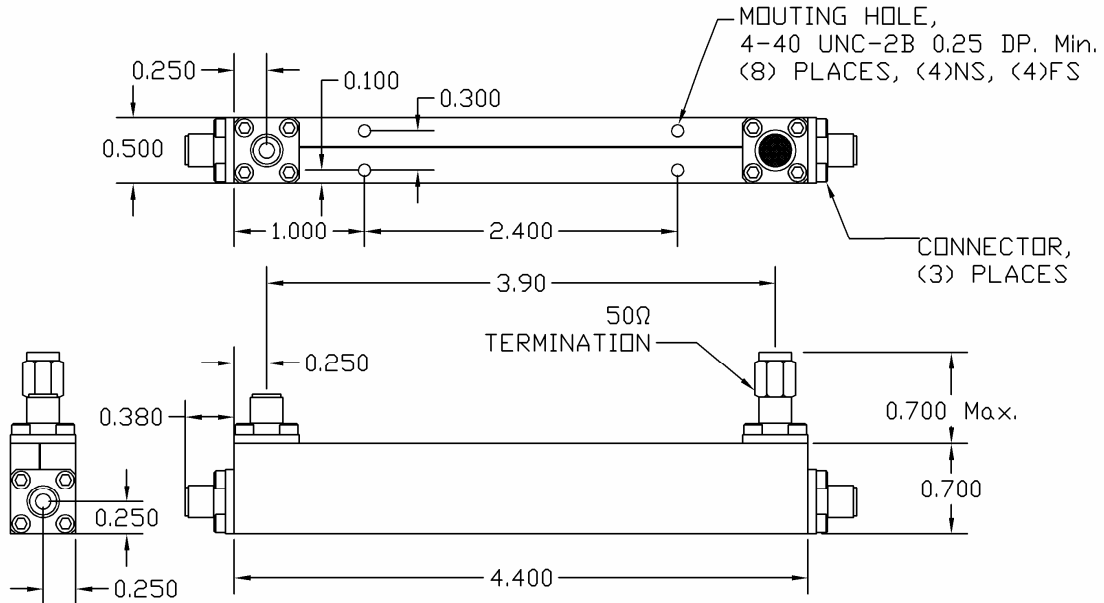
# 20 dB Stripline Directional Coupler

REV2010.A

## MODEL C-0420-20

### OUTLINE DRAWING

UNIT: INCH



ELECTRICAL SPECIFICATIONS		FREQUENCY RANGE	0.4-20.0	GHz
		NOMINAL COUPLING	20.0 ± 0.7	dB
		FREQUENCY SENSITIVITY	± 1.00	dB
		INPUT/OUTPUT PORT VSWR	Max. 1.35:1	
		COUPLED PORT VSWR	Max. 1.45:1	
		INSERTION LOSS	Max. 1.00	dB
		DIRECTIVITY	Min. 14.0	dB
		POWER RATING	Avg. 20.0	W
			Peak 3.0	kW
PHYSICAL SPECIFICATIONS		CONNECTOR TYPE	SMA Female	
		WEIGHT	Max. 3.10	OZ
		OPERATIONAL TEMP.	- 32 to + 85 °C	



**Electromagnetic Technologies Industries, Inc. (ET Industries)**  
 50 Intervale Road, Boonton, NJ, 07005, USA E-Mail: sales@etiworld.com  
 Phone: 001+(973)-394-1719 Fax: 001+(973)394-1710 www.etiworld.com