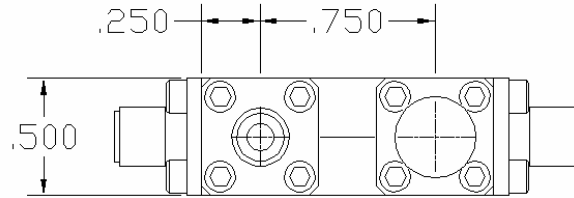


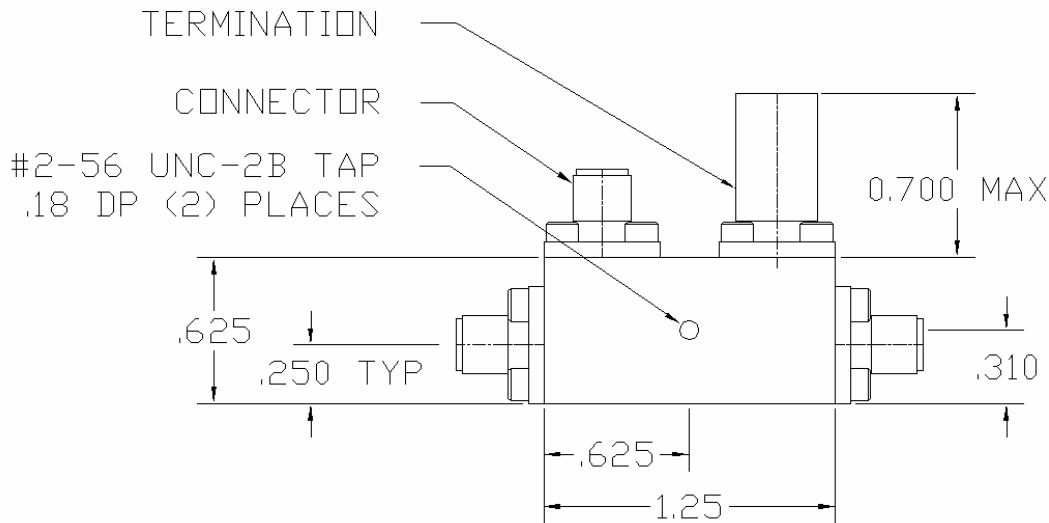


20 dB Stripline Directional Coupler

MODEL C-1040-20



UNIT: INCH



ELECTRICAL SPECIFICATIONS		FREQUENCY RANGE	10.0-40.0	GHz
		NOMINAL COUPLING	20.0±0.70	dB
		FREQUENCY SENSITIVITY	±0.40	dB
		INPUT/OUTPUT PORT VSWR	Max. 1.70:1	
		COUPLED PORT VSWR	Max. 1.70:1	
		INSERTION LOSS	Max. 1.20	dB
		DIRECTIVITY	Min. 12.0	dB
		POWER RATING	Avg. 20.0	W
			Peak 3.0	kW
PHYSICAL SPECIFICATIONS		CONNECTOR TYPE	2.92mm (K) Female	
		WEIGHT	Max. 1.17	OZ
		OPERATIONAL TEMP.	- 32 to + 85 °C	

