

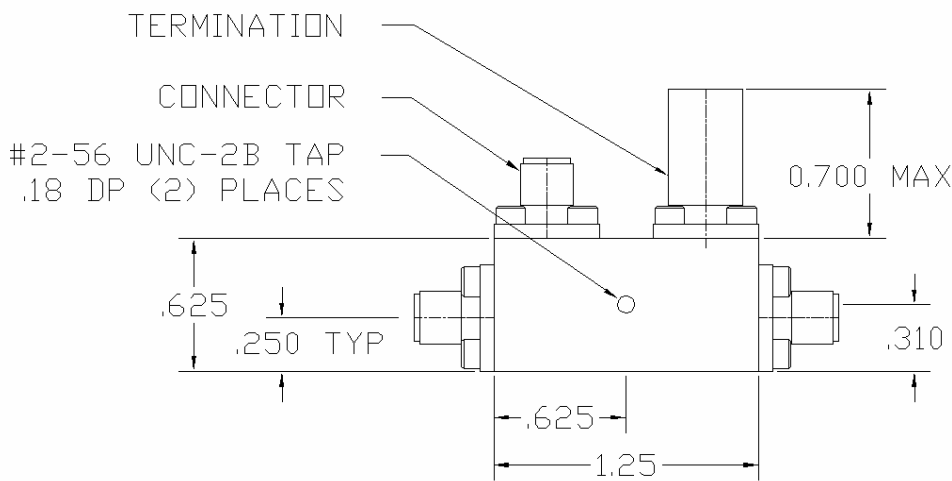
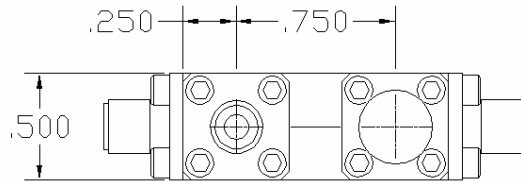


30 dB Stripline Directional Coupler

MODEL C-1040-30

OUTLINE DRAWING

UNIT: INCH



ELECTRICAL SPECIFICATIONS	FREQUENCY RANGE	10.0-40.0	GHz
	NOMINAL COUPLING	30.0±0.70	dB
	FREQUENCY SENSITIVITY	±0.70	dB
	INPUT/OUTPUT PORT VSWR	Max. 1.70:1	
	COUPLED PORT VSWR	Max. 1.70:1	
	INSERTION LOSS	Max. 1.20	dB
	DIRECTIVITY	Min. 12.0	dB
	POWER RATING	Avg. 20.0	W
		Peak 3.0	kW
	PHYSICAL SPECIFICATIONS	CONNECTOR TYPE	2.92mm (K) Female
WEIGHT		Max. 1.17	OZ
OPERATIONAL TEMP.		- 32 to + 85 °C	

