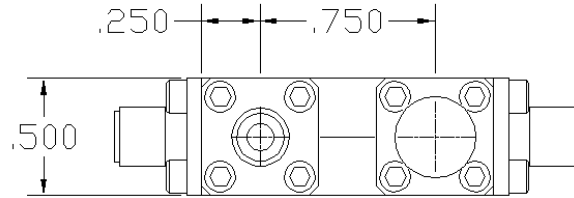


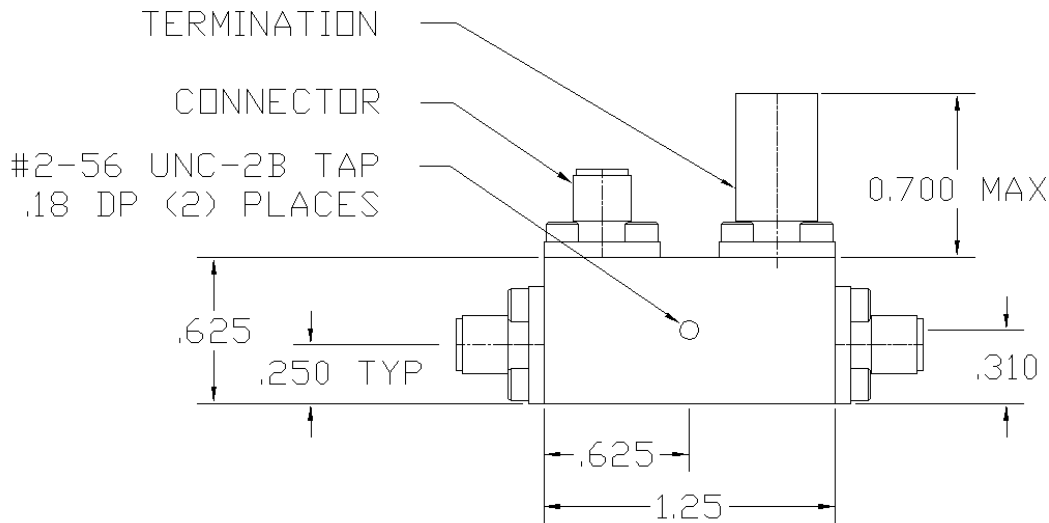


20 dB Stripline Directional Coupler

MODEL C-1050-10



UNIT: INCH



ELECTRICAL SPECIFICATIONS	FREQUENCY RANGE	10.0-50.0	GHz
	NOMINAL COUPLING	10.0±0.80	dB
	FREQUENCY SENSITIVITY	±0.60	dB
	INPUT/OUTPUT PORT VSWR	Max. 1.70:1	
	COUPLED PORT VSWR	Max. 1.80:1	
	INSERTION LOSS	Max. 1.70	dB
	DIRECTIVITY	Min. 10.0	dB
	POWER RATING	Avg. 16.0	W
		Peak 3.0	kW
	PHYSICAL SPECIFICATIONS	CONNECTOR TYPE	2.4mm Female
WEIGHT		Max. 1.18	OZ
OPERATIONAL TEMP.		- 32 to + 85 °C	



Electromagnetic Technologies Industries, Inc. (ET Industries)
 50 Intervale Road, Boonton, NJ, 07005, USA E-Mail: sales@etiworld.com
 Phone: 001+(973)-394-1719 Fax: 001+(973)394-1710 www.etiworld.com