



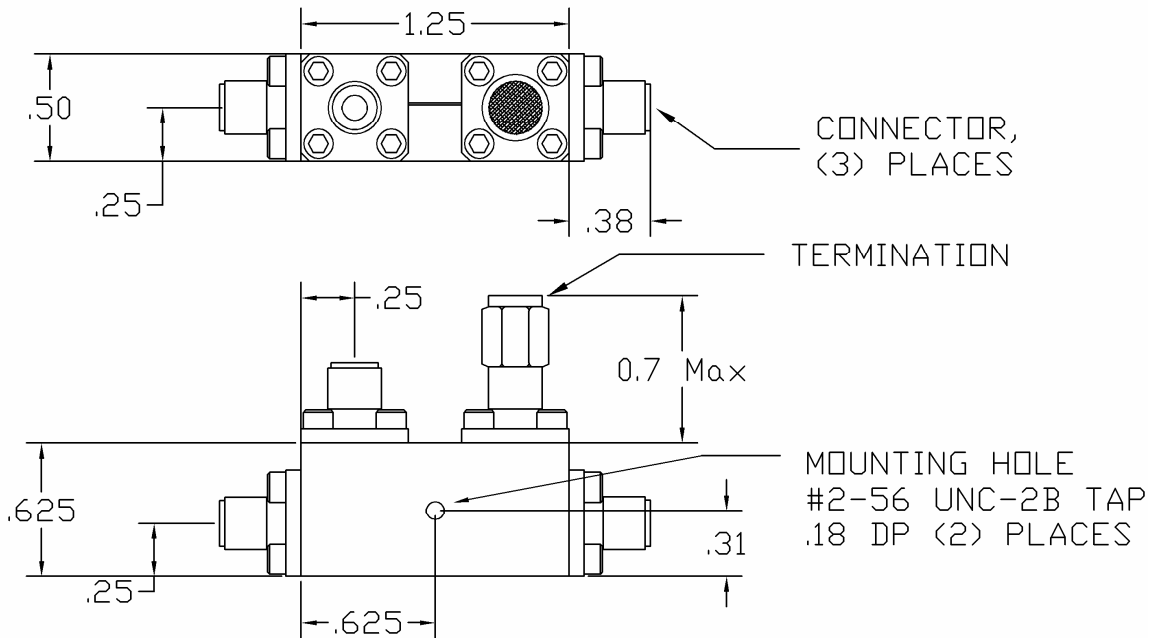
20 dB Stripline Directional Coupler

REV2011.B

MODEL C-1050-20

OUTLINE DRAWING

UNIT: INCH



ELECTRICAL SPECIFICATIONS		FREQUENCY RANGE	26.5-50.0	GHz
		NOMINAL COUPLING	20.0±0.70	dB
		FREQUENCY SENSITIVITY	±0.50	dB
	INPUT/OUTPUT PORT VSWR	Max.	1.80:1	
	COUPLED PORT VSWR	Max.	1.80:1	
	INSERTION LOSS	Max.	1.70	dB
	DIRECTIVITY	Min.	10.0	dB
	POWER RATING	Avg.	20.0	W
		Peak	3.0	kW
PHYSICAL SPECIFICATIONS		CONNECTOR TYPE	2.4mm Female	
	WEIGHT	Max.	1.20	OZ
	OPERATIONAL TEMP.		- 32 to + 85 °C	



Electromagnetic Technologies Industries, Inc. (ET Industries)
 50 Intervale Road, Boonton, NJ, 07005, USA E-Mail: sales@etiworld.com
 Phone: 001+(973)-394-1719 Fax: 001+(973)394-1710 www.etiworld.com