



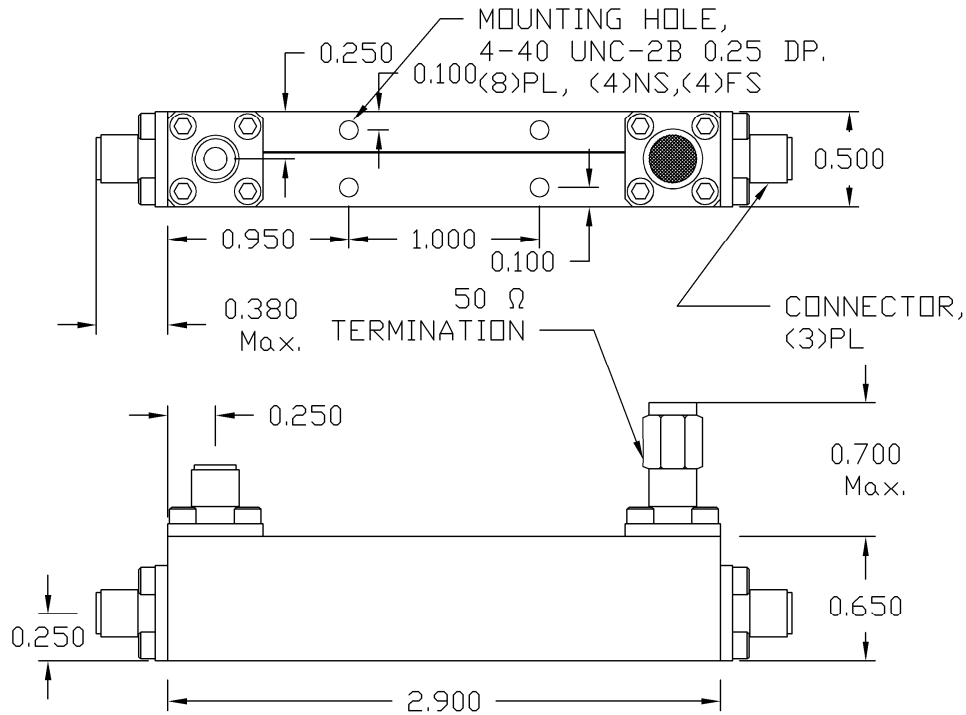
# 10 dB Stripline Directional Coupler

REV2016.A

## MODEL C-120-10

### OUTLINE DRAWING

UNIT: INCH



ELECTRICAL SPECIFICATIONS	FREQUENCY RANGE	1.0-20.0	GHz
		NOMINAL COUPLING	10.0±0.5
	FREQUENCY SENSITIVITY	±0.35	dB
	INPUT/OUTPUT PORT VSWR	Max. 1.35:1	
	COUPLED PORT VSWR	Max. 1.35:1	
	INSERTION LOSS	Max. 1.40	dB
	DIRECTIVITY	Min. 16.0	dB
	POWER RATING	Avg. 20.0	W
		Peak 3.0	kW
PHYSICAL SPECIFICATIONS	CONNECTOR TYPE	SMA Female	
	WEIGHT	Max. 2.05	OZ
	OPERATIONAL TEMP.	- 32 to + 85 °C	



**Electromagnetic Technologies Industries, Inc. (ET Industries)**  
 50 Intervale Road, Boonton, NJ, 07005, USA E-Mail: sales@etiworld.com  
 Phone: 001+(973)-394-1719 Fax: 001+(973)394-1710 www.etiworld.com