



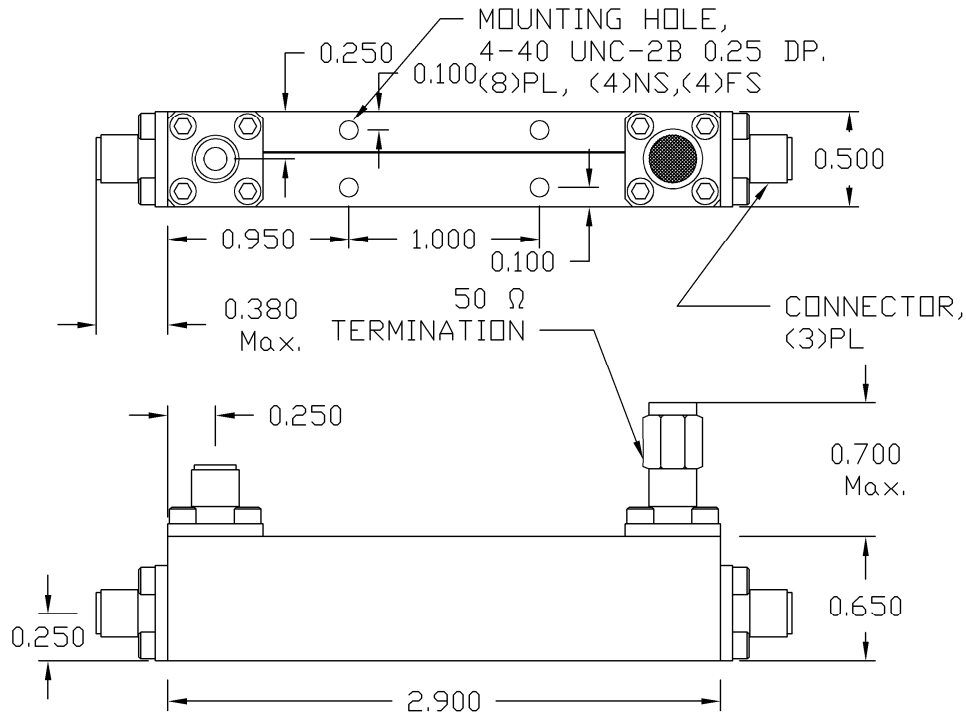
20 dB Stripline Directional Coupler

REV2016.B

MODEL C-120-20*

OUTLINE DRAWING

UNIT: INCH



| | | | | |
|----------------------------------|--------------------------------|------------------------|-------------------|-----------|
| ELECTRICAL SPECIFICATIONS | FREQUENCY RANGE | 1.0-20.0 | GHz | |
| | NOMINAL COUPLING | 20.0±0.5 | dB | |
| | FREQUENCY SENSITIVITY* | ±0.50 | dB | |
| | INPUT/OUTPUT PORT VSWR | Max. 1.35:1 | | |
| | COUPLED PORT VSWR | Max. 1.35:1 | | |
| | INSERTION LOSS | Max. 1.00 | dB | |
| | DIRECTIVITY | Min. 16.0 | dB | |
| | POWER RATING | Avg. | 20.0 | W |
| | | Peak | 3.0 | kW |
| | PHYSICAL SPECIFICATIONS | CONNECTOR TYPE | SMA Female | |
| WEIGHT | | Max. 2.05 | OZ | |
| OPERATIONAL TEMP. | | - 32 to + 85 °C | | |

*Frequency sensitivity = ±0.5



Electromagnetic Technologies Industries, Inc. (ET Industries)
50 Intervale Road, Boonton, NJ, 07005, USA E-Mail: sales@etiworld.com
Phone: 001+(973)-394-1719 Fax: 001+(973)394-1710 www.etiworld.com