



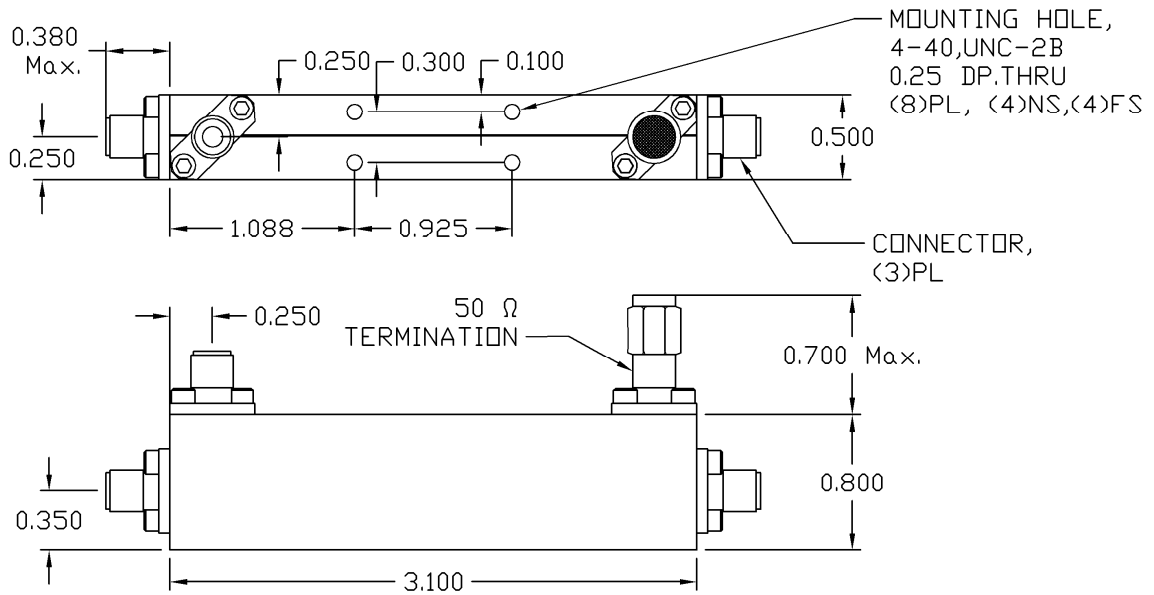
13 dB Stripline Directional Coupler

REV2016.A

MODEL C-140-13

OUTLINE DRAWING

UNIT: INCH



ELECTRICAL SPECIFICATIONS		FREQUENCY RANGE	1.0-40.0	GHz
		NOMINAL COUPLING	13.0±0.8	dB
		FREQUENCY SENSITIVITY	±1.0	dB
		INPUT/OUTPUT PORT VSWR	Max. 1.70:1	
		COUPLED PORT VSWR	Max. 1.70:1	
		INSERTION LOSS	Max. 2.30	dB
		DIRECTIVITY	Min. 11.0	dB
		POWER RATING	Avg. 20.0	W
			Peak 3.0	kW
PHYSICAL SPECIFICATIONS		CONNECTOR TYPE	2.92mm (K) Female	
		WEIGHT	Max. 2.54	OZ
		OPERATIONAL TEMP.	- 32 to + 85 °C	



Electromagnetic Technologies Industries, Inc. (ET Industries)
 50 Intervale Road, Boonton, NJ, 07005, USA E-Mail: sales@etiworld.com
 Phone: 001+(973)-394-1719 Fax: 001+(973)394-1710 www.etiworld.com