



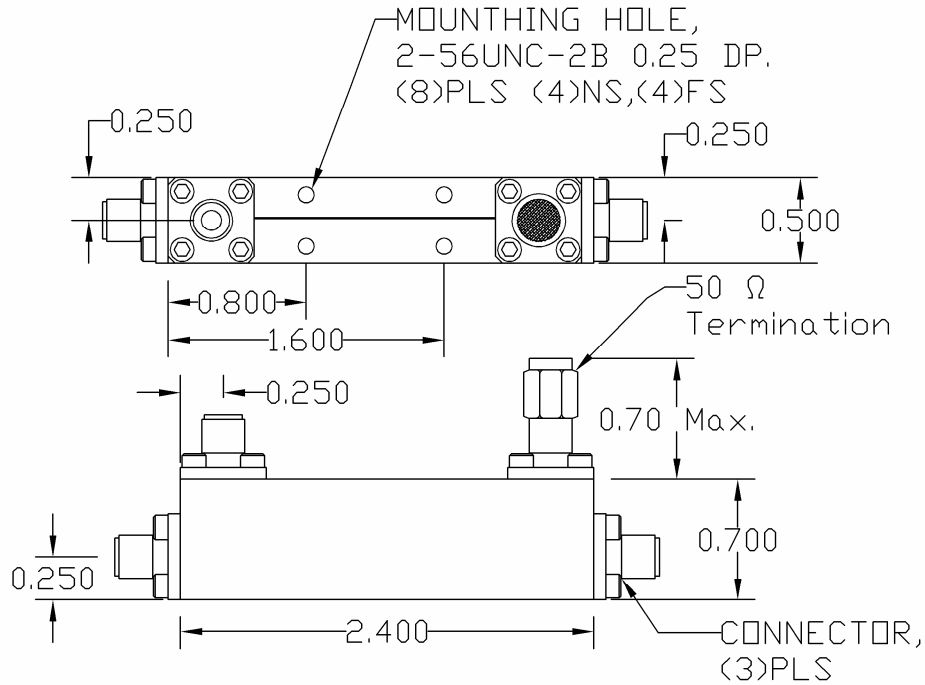
10 dB Stripline Directional Coupler

REV2010.A

MODEL C-1720-10

OUTLINE DRAWING

UNIT: INCH



ELECTRICAL SPECIFICATIONS	FREQUENCY RANGE	1.7-20.0	GHz	
	NOMINAL COUPLING	10.0±0.8	dB	
	FREQUENCY SENSITIVITY	±0.55	dB	
	INPUT/OUTPUT PORT VSWR	Max. 1.35:1		
	COUPLED PORT VSWR	Max. 1.35:1		
	INSERTION LOSS	Max. 1.30	dB	
	DIRECTIVITY	Min. 15.0	dB	
	POWER RATING	Avg.	20.0	W
		Peak	3.0	kW
PHYSICAL SPECIFICATIONS	CONNECTOR TYPE	SMA Female		
	WEIGHT	Max. 1.80	OZ	
	OPERATIONAL TEMP.	- 32 to + 85 °C		



Electromagnetic Technologies Industries, Inc. (ET Industries)
 50 Intervale Road, Boonton, NJ, 07005, USA E-Mail: sales@etiworld.com
 Phone: 001+(973)-394-1719 Fax: 001+(973)394-1710 www.etiworld.com