



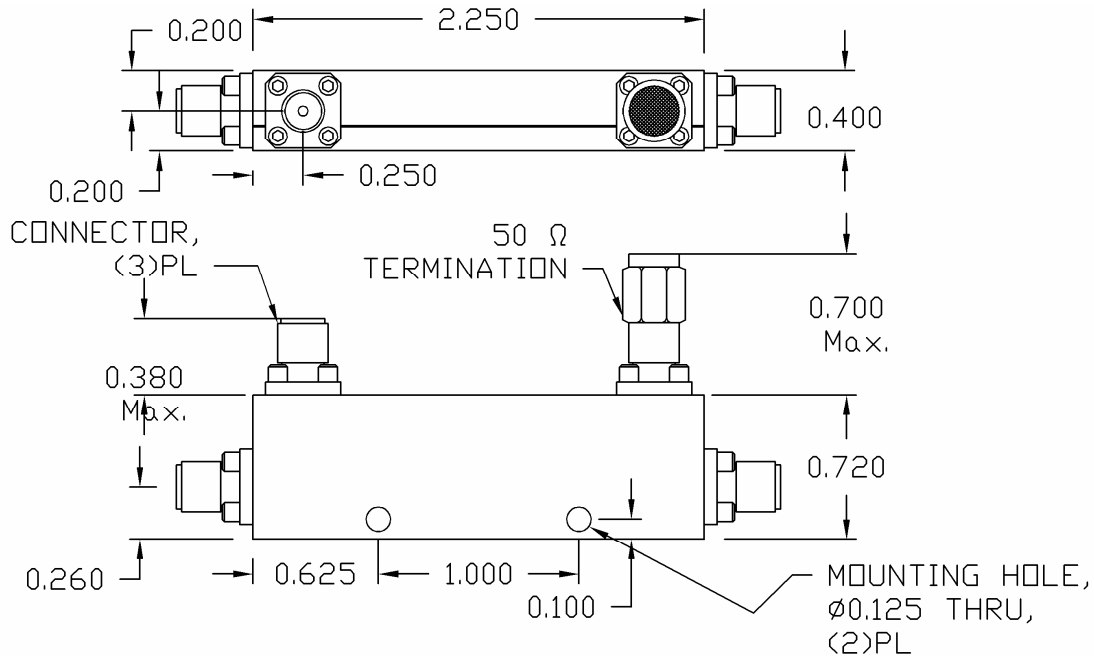
20 dB Stripline Directional Coupler

REV2010.A

MODEL C-218-20

OUTLINE DRAWING

UNIT: INCH



ELECTRICAL SPECIFICATIONS	FREQUENCY RANGE	2.0-18.0	GHz	
	NOMINAL COUPLING	20.0 \pm 0.6	dB	
	FREQUENCY SENSITIVITY	\pm 0.30	dB	
	INPUT/OUTPUT PORT VSWR	Max. 1.30:1		
	COUPLED PORT VSWR	Max. 1.30:1		
	INSERTION LOSS	Max. 0.70	dB	
	DIRECTIVITY	Min. 16.0	dB	
	POWER RATING	Avg.	20.0	W
		Peak	3.0	kW
	PHYSICAL SPECIFICATIONS	CONNECTOR TYPE	SMA Female	
WEIGHT		Max. 2.80	OZ	
OPERATIONAL TEMP.		- 32 to + 85 °C		



Electromagnetic Technologies Industries, Inc. (ET Industries)
50 Intervale Road, Boonton, NJ, 07005, USA E-Mail: sales@etiworld.com
Phone: 001+(973)-394-1719 Fax: 001+(973)394-1710 www.etiworld.com