



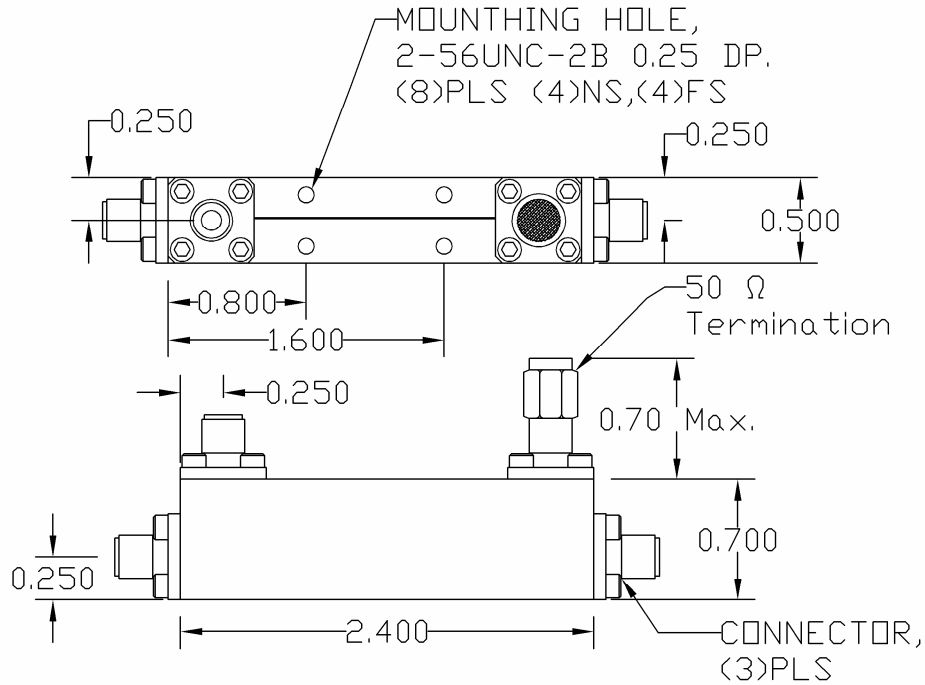
10 dB Stripline Directional Coupler

REV2010.A

MODEL C-240-10

OUTLINE DRAWING

UNIT: INCH



ELECTRICAL SPECIFICATIONS	FREQUENCY RANGE	2.0-40.0	GHz	
	NOMINAL COUPLING	10.0±0.8	dB	
	FREQUENCY SENSITIVITY	2.0-20.0: ±0.40 20.0-40.0: ±0.70	dB	
	INPUT/OUTPUT PORT VSWR	Max. 2.0-20.0: 1.50 20.0-40.0: 1.70		
	COUPLED PORT VSWR	Max. 2.0-20.0: 1.50 20.0-40.0: 1.70		
	INSERTION LOSS	Max. 2.0-20.0: 1.10 20.0-40.0: 1.90	dB	
	DIRECTIVITY	Min. 2.0-20.0: 15.0 20.0-40.0: 11.0	dB	
	POWER RATING	Avg. 20.0 Peak 3.0	W kW	
	PHYSICAL SPECIFICATIONS	CONNECTOR TYPE	2.92mm (K) Female	
		WEIGHT	Max. 1.80	OZ
OPERATIONAL TEMP.		- 32 to + 85 °C		



Electromagnetic Technologies Industries, Inc. (ET Industries)
 50 Intervale Road, Boonton, NJ, 07005, USA E-Mail: sales@etiworld.com
 Phone: 001+(973)-394-1719 Fax: 001+(973)394-1710 www.etiworld.com