



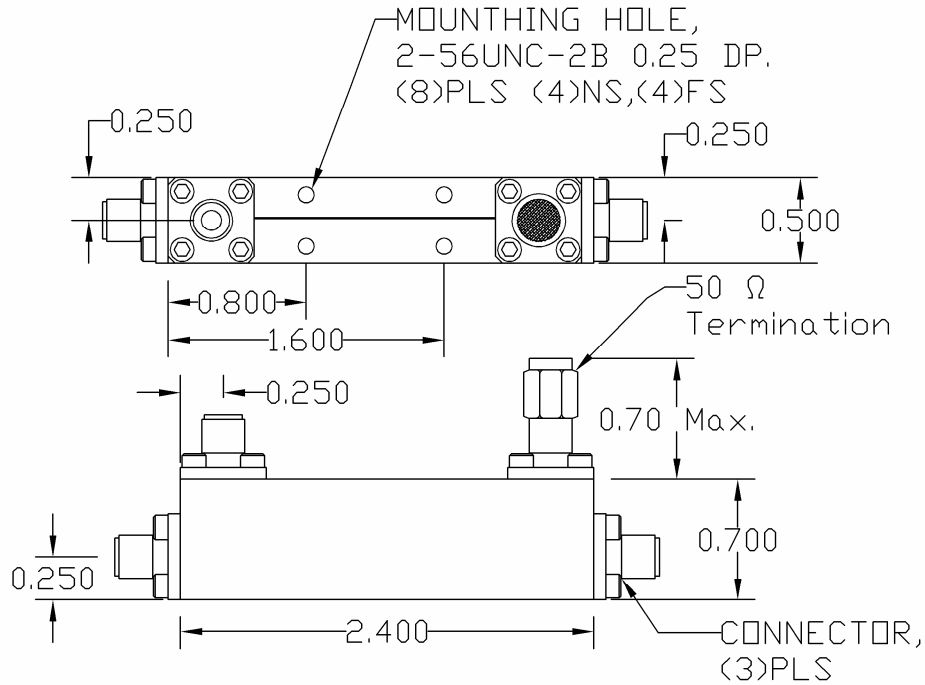
# 16 dB Stripline Directional Coupler

REV2010.A

## MODEL C-240-16

### OUTLINE DRAWING

UNIT: INCH



<b>ELECTRICAL SPECIFICATIONS</b>	<b>FREQUENCY RANGE</b>	<b>2.0-40.0</b>	<b>GHz</b>	
	<b>NOMINAL COUPLING</b>	<b>16.0±1.0</b>	<b>dB</b>	
	<b>FREQUENCY SENSITIVITY</b>	<b>2.0-20.0: ±0.40</b> <b>20.0-40.0: ±0.70</b>	<b>dB</b>	
	<b>INPUT/OUTPUT PORT VSWR</b>	<b>Max. 2.0-20.0: 1.50</b> <b>20.0-40.0: 1.70</b>		
	<b>COUPLED PORT VSWR</b>	<b>Max. 2.0-20.0: 1.50</b> <b>20.0-40.0: 1.70</b>		
	<b>INSERTION LOSS</b>	<b>Max. 1.60</b>	<b>dB</b>	
	<b>DIRECTIVITY</b>	<b>Min. 2.0-20.0: 15.0</b> <b>20.0-40.0: 11.0</b>	<b>dB</b>	
	<b>POWER RATING</b>	<b>Avg. 14.0</b> <b>Peak 1.0</b>	<b>W</b> <b>kW</b>	
	<b>PHYSICAL SPECIFICATIONS</b>	<b>CONNECTOR TYPE</b>	<b>2.92mm (K) Female</b>	
		<b>WEIGHT</b>	<b>Max. 1.85</b>	<b>OZ</b>
<b>OPERATIONAL TEMP.</b>		<b>- 32 to + 85 °C</b>		



**Electromagnetic Technologies Industries, Inc. (ET Industries)**  
50 Intervale Road, Boonton, NJ, 07005, USA E-Mail: sales@etiworld.com  
Phone: 001+(973)-394-1719 Fax: 001+(973)394-1710 www.etiworld.com