



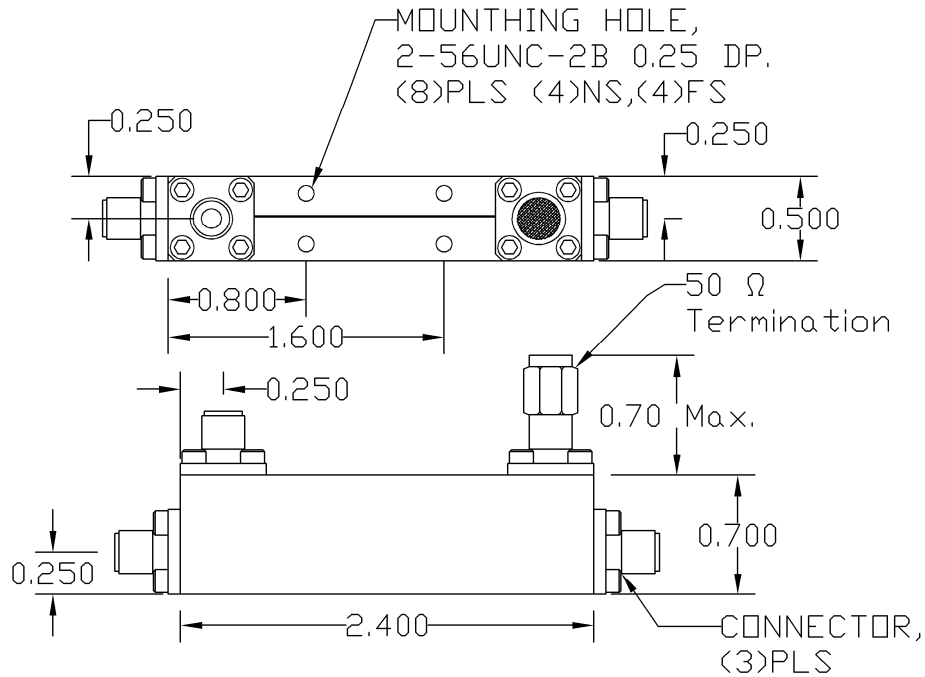
# 10 dB Stripline Directional Coupler

REV2010.A

## MODEL C-250-10

### OUTLINE DRAWING

UNIT: INCH



ELECTRICAL SPECIFICATIONS	FREQUENCY RANGE	2.0-50.0	GHz
	NOMINAL COUPLING	10.0±0.8	dB
FREQUENCY SENSITIVITY	2.0-26.5: ±0.70	dB	
	26.5-50.0: ±1.00	dB	
INPUT/OUTPUT PORT VSWR AND COUPLED PORT VSWR	Max. 2.0-26.5: 1.50		
	26.5-50.0: 2.00		
INSERTION LOSS	Max. 2.0-26.5: 1.70	dB	
	26.5-50.0: 2.25	dB	
DIRECTIVITY	Min. 2.0-26.5: 13.0	dB	
	26.5-50.0: 10.0	dB	
POWER RATING	Avg. 16.0	W	
	Peak 3.0	kW	
PHYSICAL SPECIFICATIONS	CONNECTOR TYPE	2.4mm Female	
	WEIGHT	Max. 1.80	OZ
	OPERATIONAL TEMP.	- 32 to + 85	°C



**Electromagnetic Technologies Industries, Inc. (ET Industries)**  
 50 Intervale Road, Boonton, NJ, 07005, USA E-Mail: sales@etiworld.com  
 Phone: 001+(973)-394-1719 Fax: 001+(973)394-1710 www.etiworld.com