



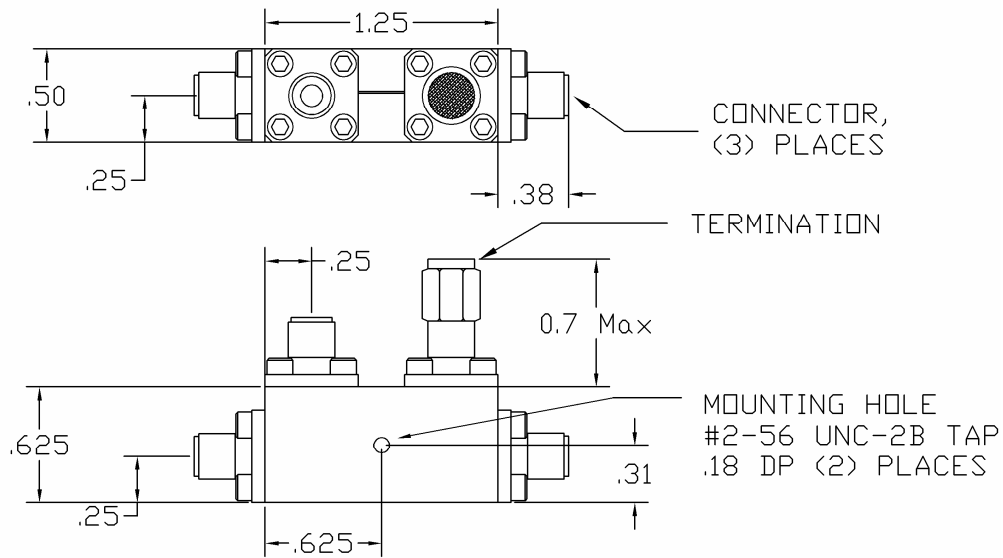
10 dB Stripline Directional Coupler

REV:2010.A

MODEL C-2640-10

OUTLINE DRAWING

UNIT: INCH



ELECTRICAL SPECIFICATIONS	FREQUENCY RANGE	26.5~40.0	GHz	
	NOMINAL COUPLING	10.0±0.50	dB	
	FREQUENCY SENSITIVITY	±0.40	dB	
	INPUT/OUTPUT PORT VSWR	Max. 1.70:1		
	COUPLED PORT VSWR	Max. 1.70:1		
	INSERTION LOSS	Max. 1.50	dB	
	DIRECTIVITY	Min. 12.0	dB	
	POWER RATING	Avg.	20.0	W
		Peak	3.0	kW
	PHYSICAL SPECIFICATIONS	CONNECTOR TYPE	2.92mm (K) Female	
WEIGHT		Max. 1.15	OZ	
OPERATIONAL TEMP.		- 32 ~ + 85 °C		

