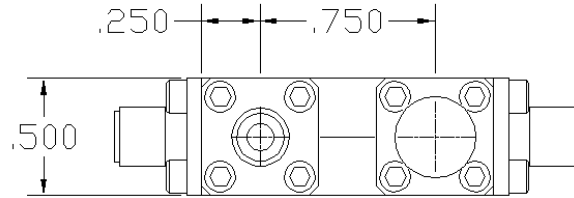


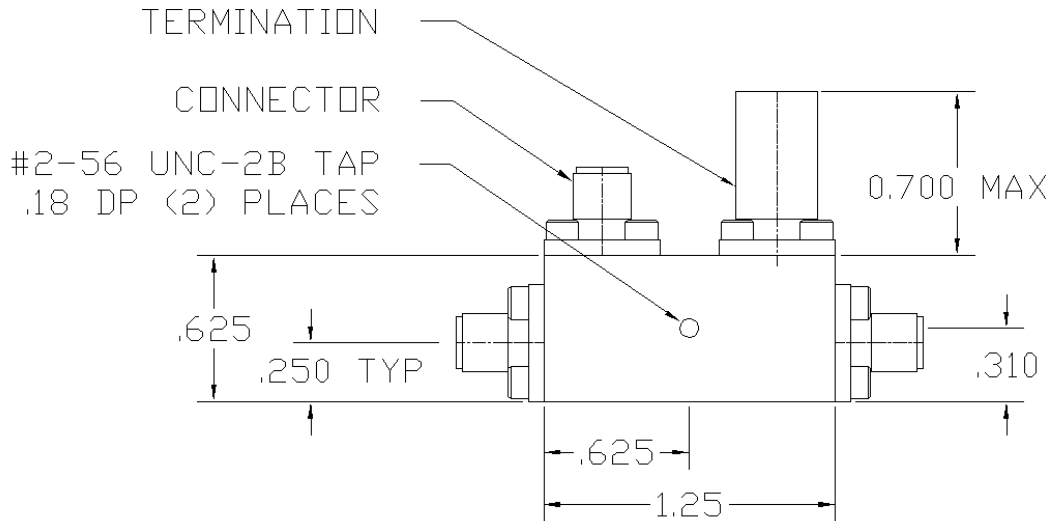


# 20 dB Stripline Directional Coupler

## MODEL C-2640-20



UNIT: INCH



ELECTRICAL SPECIFICATIONS		FREQUENCY RANGE	26.5-40.0	GHz
		NOMINAL COUPLING	20.0±0.80	dB
		FREQUENCY SENSITIVITY	±0.40	dB
	INPUT/OUTPUT PORT VSWR	Max.	1.70:1	
	COUPLED PORT VSWR	Max.	1.70:1	
	INSERTION LOSS	Max.	1.30	dB
	DIRECTIVITY	Min.	12.0	dB
	POWER RATING	Avg.	20.0	W
		Peak	3.0	kW
PHYSICAL SPECIFICATIONS		CONNECTOR TYPE	2.92mm (K) Female	
	WEIGHT	Max.	1.17	OZ
	OPERATIONAL TEMP.		- 32 to + 85 °C	

