



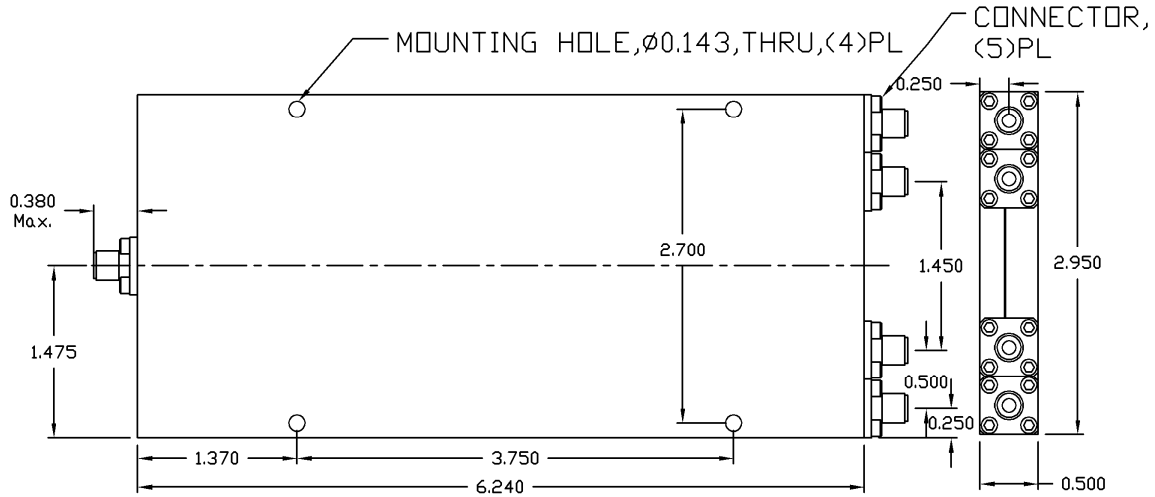
# 4-Way Stripline Power Divider

REV:2010.A

## MODEL D-0526-4

### OUTLINE DRAWING

UNIT: INCH



ELECTRICAL SPECIFICATIONS	FREQUENCY RANGE		0.5-26.5	GHz
		INPUT VSWR	Max.	0.5-2:1.40 2-26.5:1.65
	OUTPUT VSWR	Max.	0.5-2:1.40 2-26.5:1.65	
	AMPLITUDE BALANCE	Max.	0.50	dB
	PHASE BALANCE	Max.	6.00	Deg.
	INSERTION LOSS	Max.	4.00	dB
	ISOLATION	Min.	0.5-2:15.0 2-26.5:18.0	dB
	POWER RATING	Avg.	20.0	W
		Peak	3.0	kW
PHYSICAL SPECIFICATIONS	CONNECTOR TYPE		SMA Female	
	WEIGHT	Max.	14.9	Oz
	OPERATIONAL TEMP.		- 32 ~ + 85 °C	



**Electromagnetic Technologies Industries, Inc. (ET Industries)**  
 50 Intervale Road, Boonton, NJ, 07005, USA E-Mail: sales@etiworld.com  
 Phone: 001+(973)-394-1719 Fax: 001+(973)394-1710 www.etiworld.com