



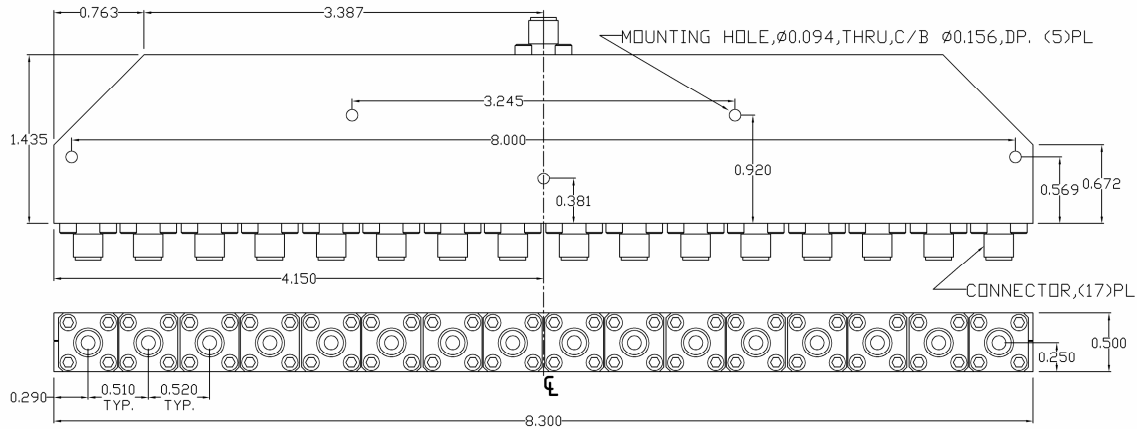
16-Way Stripline Power Divider

REV.2010.A

MODEL D-1826-16

OUTLINE DRAWING

UNIT: INCH



| ELECTRICAL SPECIFICATIONS | FREQUENCY RANGE | | 18.0-26.5 | GHz |
|---------------------------|-------------------|------------|-----------------|--------|
| | | INPUT VSWR | Max. | 1.70:1 |
| | OUTPUT VSWR | Max. | 1.70:1 | |
| | AMPLITUDE BALANCE | Max. | 0.90 | dB |
| | PHASE BALANCE | Max. | 9.00 | Deg. |
| | INSERTION LOSS | Max. | 4.30 | dB |
| | ISOLATION | Min. | 18.0 | dB |
| | POWER RATING | Avg. | 20.0 | W |
| | | Peak | 3.0 | kW |
| PHYSICAL SPECIFICATIONS | CONNECTOR TYPE | | SMA Female | |
| | WEIGHT | Max. | 11.10 | Oz |
| | OPERATIONAL TEMP. | | - 32 to + 85 °C | |



Electromagnetic Technologies Industries, Inc. (ET Industries)
 50 Intervale Road, Boonton, NJ, 07005, USA E-Mail: sales@etiworld.com
 Phone: 001+(973)-394-1719 Fax: 001+(973)394-1710 www.etiworld.com