



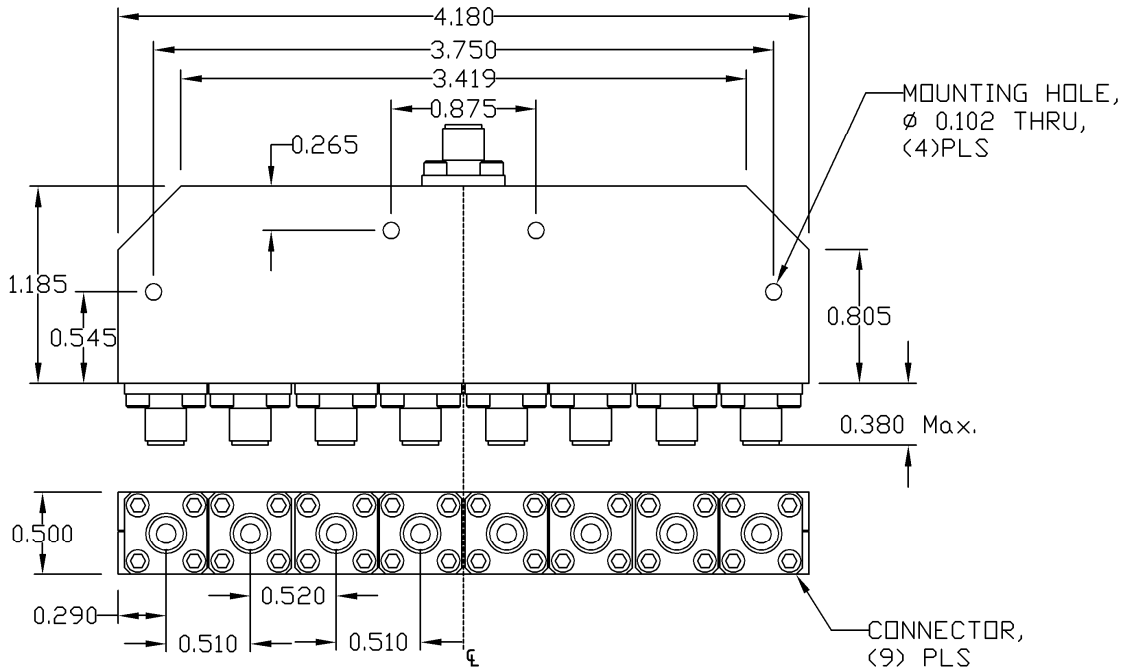
8-Way Stripline Power Divider

REV2010.A

MODEL D-1840-8

OUTLINE DRAWING

UNIT: INCH



ELECTRICAL SPECIFICATIONS	FREQUENCY RANGE		18.0-40.0	GHz
		INPUT VSWR	Max.	1.70:1
	OUTPUT VSWR	Max.	1.70:1	
	AMPLITUDE BALANCE	Max.	0.80	dB
	PHASE BALANCE	Max.	7.00	Deg.
	INSERTION LOSS	Max.	3.60	dB
	ISOLATION	Min.	17.0	dB
	POWER RATING	Avg.	20.0	W (See Note 1)
		Peak	3.0	kW
PHYSICAL SPECIFICATIONS	CONNECTOR TYPE		2.92mm (K) Female	
		WEIGHT	Max.	4.85 Oz
		OPERATIONAL TEMP.	- 32 to + 85 °C	
		STORAGE TEMP.	- 40 to + 85 °C	

***Note 1:**

Rating power at the ports is 20 Watts at VSWR=1.70:1
And 2 Watts at VSWR=Infinite



Electromagnetic Technologies Industries, Inc. (ET Industries)
50 Intervale Road, Boonton, NJ, 07005, USA E-Mail: sales@etiworld.com
Phone: 001+(973)-394-1719 Fax: 001+(973)394-1710 www.etiworld.com