



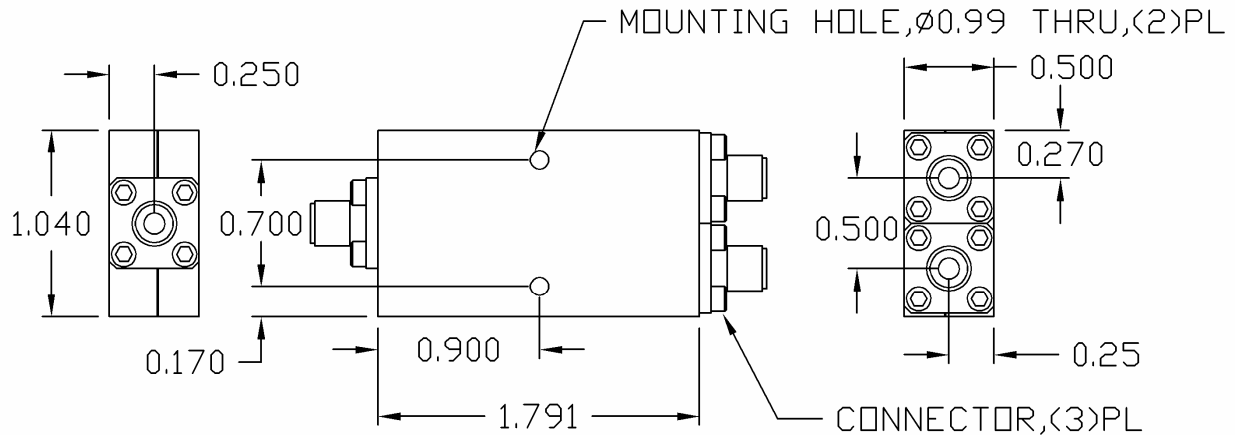
2-Way Stripline Power Divider

REV.2010.A

MODEL D-250-2

OUTLINE DRAWING

UNIT: INCH



ELECTRICAL SPECIFICATIONS	FREQUENCY RANGE		2.0-50.0	GHz
		INPUT VSWR	Max.	1.70:1
	OUTPUT VSWR	Max.	1.70:1	
	AMPLITUDE BALANCE	Max.	0.50	dB
	PHASE BALANCE	Max.	6.0	Deg.
	INSERTION LOSS	Max.	2.40	dB
	ISOLATION	Min.	18.0	dB
	POWER RATING	Avg.	16.0	W
		Peak	3.0	kW
PHYSICAL SPECIFICATIONS	CONNECTOR TYPE		2.4mm Female	
	WEIGHT	Max.	1.86	Oz
	OPERATIONAL TEMP.		- 32 ~ + 85 °C	



Electromagnetic Technologies Industries, Inc. (ET Industries)
 50 Intervale Road, Boonton, NJ, 07005, USA E-Mail: sales@etiworld.com
 Phone: 001+(973)-394-1719 Fax: 001+(973)394-1710 www.etiworld.com