

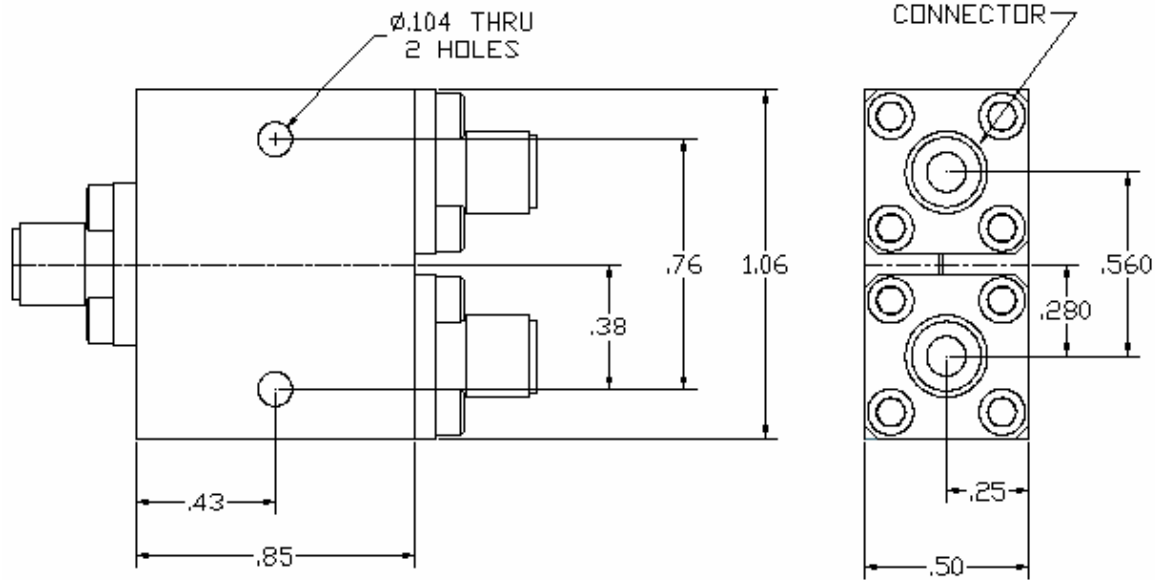


2-Way Stripline Power Divider

MODEL D-2650-2

OUTLINE DRAWING

UNIT: INCH



ELECTRICAL SPECIFICATIONS	FREQUENCY RANGE		26.5-50.0	GHz
		INPUT VSWR	Max.	1.70:1
	OUTPUT VSWR	Max.	1.70:1	
	AMPLITUDE BALANCE	Max.	0.50	dB
	PHASE BALANCE	Max.	5.0	Deg.
	INSERTION LOSS	Max.	1.80	dB
	ISOLATION	Min.	16.0	dB
	POWER RATING	Avg.	16.0	W
		Peak	3.0	kW
PHYSICAL SPECIFICATIONS	CONNECTOR TYPE		2.4mm Female	
	WEIGHT	Max.	1.20	Oz
	OPERATIONAL TEMP.		- 32 to + 85 °C	

