



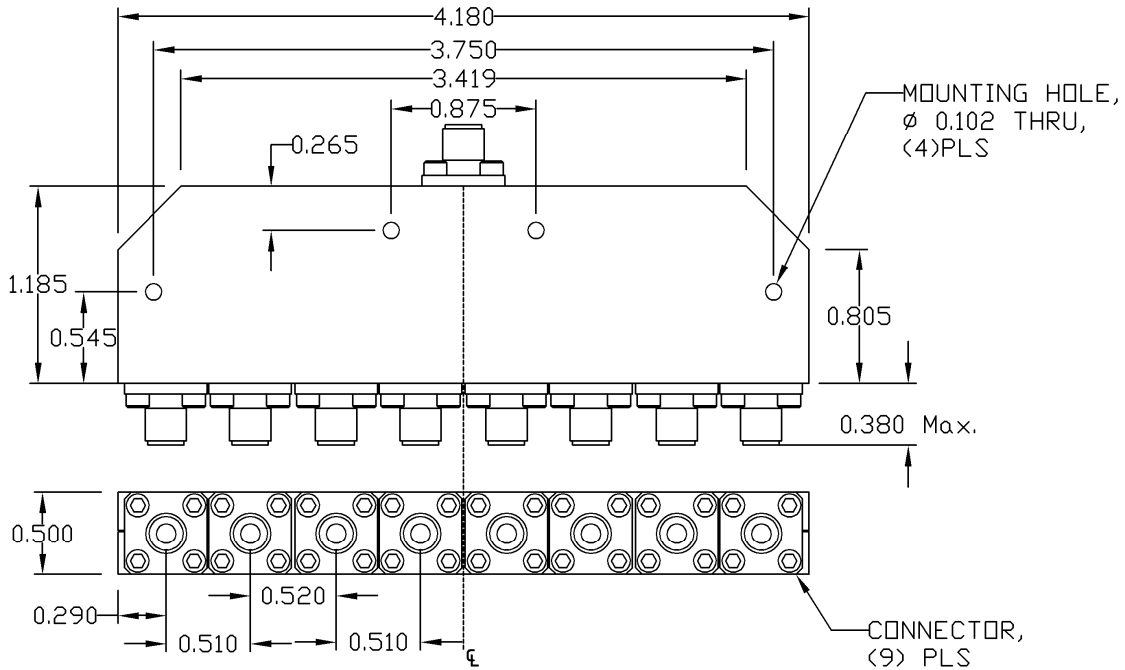
# 8-Way Stripline Power Divider

REV2010.A

## MODEL D-2650-8

### OUTLINE DRAWING

UNIT: INCH



ELECTRICAL SPECIFICATIONS	FREQUENCY RANGE		26.5-50.0	GHz
		INPUT VSWR	Max.	1.80:1
	OUTPUT VSWR	Max.	1.80:1	
	AMPLITUDE BALANCE	Max.	0.90	dB
	PHASE BALANCE	Max.	8.00	Deg.
	INSERTION LOSS	Max.	4.20	dB
	ISOLATION	Min.	17.0	dB
POWER RATING		Avg.	15.0	W
		Peak	3.0	kW
PHYSICAL SPECIFICATIONS	CONNECTOR TYPE		2.40mm Female	
	WEIGHT	Max.	4.85	Oz
	OPERATIONAL TEMP.		- 32 to + 85 °C	



**Electromagnetic Technologies Industries, Inc. (ET Industries)**  
 50 Intervale Road, Boonton, NJ, 07005, USA E-Mail: sales@etiworld.com  
 Phone: 001+(973)-394-1719 Fax: 001+(973)394-1710 www.etiworld.com