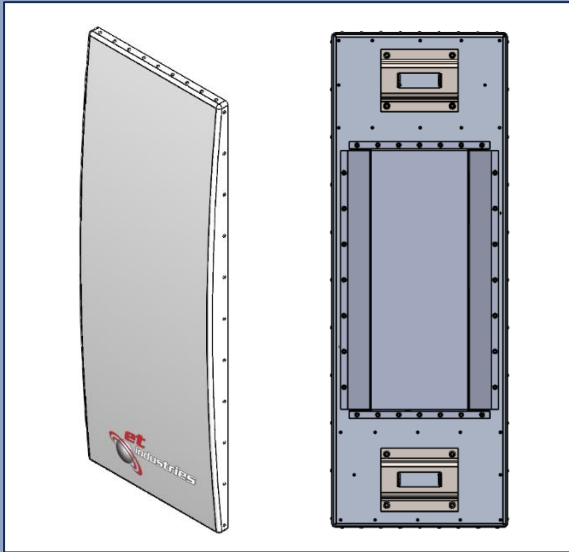


4-Beam System Model No. 4ET354X8

This system is comprised of a Phased Array antenna incorporating beamforming and beam shaping networks, producing four beams in 120° azimuth beamwidth. The system operates in the CBRS band. Ideal for increase in capacity and throughput. Permits frequency reuse. Compatible with all radio manufacturers.



Electrical Specifications

Frequency Range	3.2-3.7 GHz
VSWR	1.6
Impedance	50 Ohms
Connector	N-Type
Polarization	Dual (H, V)
Gain	22 dB
Power Rating	20 Watts
Azimuth Plane	120°
Elevation Plane	10.5°
Sectorization (*)	
Sector Peak Angles From Broadside	±15° ±45°
Subsector Beam Width	30°

Mechanical Specifications

Length	41.50 in.
Width	14.74 in.
Depth	4.14 in.
Weight	30 lbs.
Fabrication	High quality low loss Teflon based micro materials; copper feedlines with protective coating - UV safe fiberglass radome
Mounting	Mounting brackets conforming to site location

Environmental Specifications

Moisture	Environmentally Sealed
Temperature	-40C - +65C

