

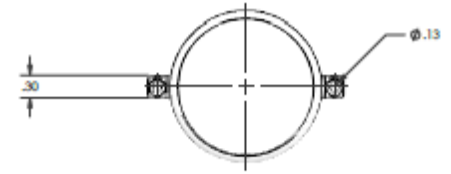


OMNI DAS ANTENNA

MODEL No. ET17ODA

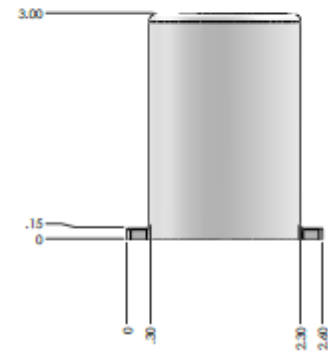
DESCRIPTION

ET Industries presents in-building, high gain DAS antenna for cellular and Wi-Fi applications. ET17ODA is a compact, easily ceiling or wall mounted DAS Antenna providing high gain, omni-directional coverage from 500-6000MHz. The antenna's high gain provides superior coverage in AWS, PCS, LTE, CBRS, C-band and Wi-Fi bands.



ELECTRICAL SPECIFICATIONS

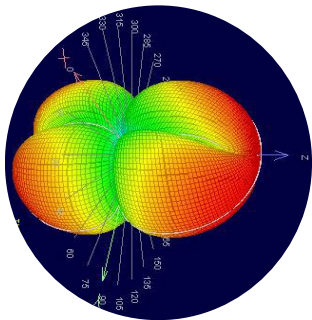
Frequency Range	500-6000MHz
Gain	7dBi@1800MHz (AWS) 7.5dBi@2400MHz (Wi-Fi) 8.5dBi@2600MHz (LTE) 10.5dBi@5800MHz (Wi-Fi)
Horizontal Beamwidth	360°
Impedance	50 Ohms
Max Input Power	50 Watts
VSWR	<2:1
Polarization	Vertical, linear
Connector	TBD by customer



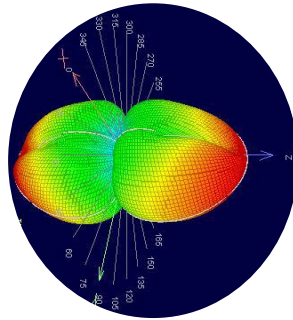
MECHANICAL SPECIFICATIONS

Weight	.09 lbs.
Dimensions	2.3" Inner Dia. x 3" Height
Radome Material	UV Resistant ABS
Operating Temperature	-40°C to 60°C
Mounting	Ceiling or Wall

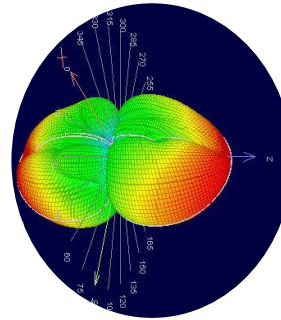
ANTENNA PATTERNS



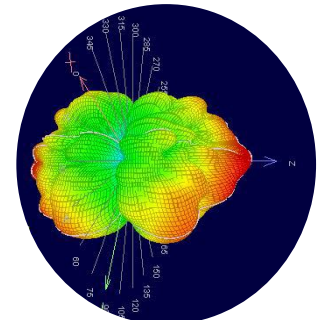
7 dBi @ 1800 MHz



7.5 dBi @ 2400 MHz



8.5 dBi @ 2600 MHz



10.5 dBi @ 5800 MHz

The Power of Applied Intelligence