



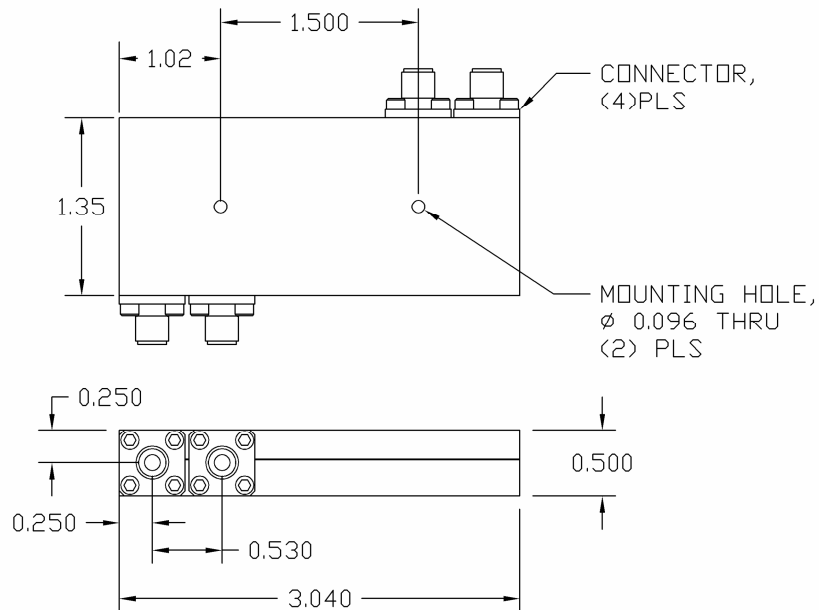
180-Degree 3dB Stripline Hybrid Coupler

REV2010.A

MODEL J-212-180

OUTLINE DRAWING

UNIT: INCH



ELECTRICAL SPECIFICATIONS	FREQUENCY RANGE		2.0-12.4	GHz
		COUPLING	Typ.	3.0
	VSWR	Max.	1.50:1	
	AMPLITUDE BALANCE		± 0.50	dB
	PHASE BALANCE		± 8.0	Deg.
	INSERTION LOSS	Max.	1.80	dB
	ISOLATION	Min.	17.0	dB
	POWER RATING	Avg.	20.0	W
		Peak	3.0	kW
PHYSICAL SPECIFICATIONS	CONNECTOR TYPE		SMA Female	
	WEIGHT	Max.	3.64	Oz
	OPERATIONAL TEMP.		- 32 to + 85 °C	

