



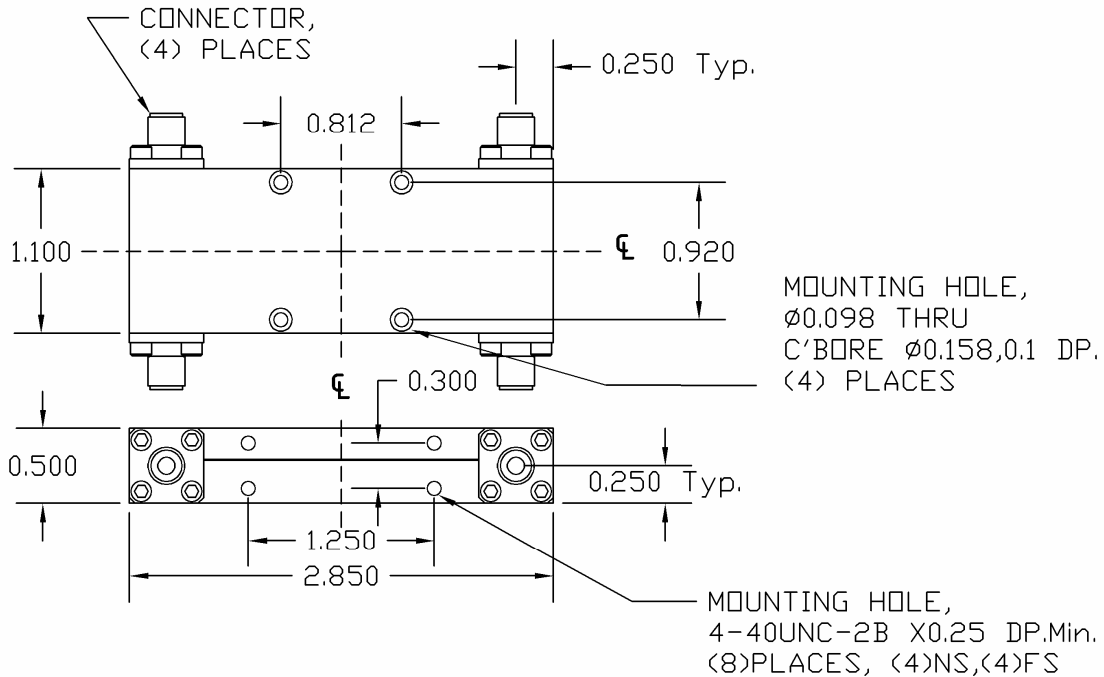
90-Degree 3dB Stripline Hybrid Coupler

REV2010.A

MODEL Q-412-90

OUTLINE DRAWING

UNIT: INCH



| ELECTRICAL SPECIFICATIONS | FREQUENCY RANGE | | 4.0-12.4 | GHz |
|---------------------------|-------------------|----------|-----------------|------|
| | | COUPLING | Typ. | 3.0 |
| | VSWR | Max. | 1.35:1 | |
| | AMPLITUDE BALANCE | | ± 0.50 | dB |
| | PHASE BALANCE | | ± 4.0 | Deg. |
| | INSERTION LOSS | Max. | 1.00 | dB |
| | ISOLATION | Min. | 20.0 | dB |
| | POWER RATING | Avg. | 20.0 | W |
| | | Peak | 3.0 | kW |
| PHYSICAL SPECIFICATIONS | CONNECTOR TYPE | | SMA Female | |
| | WEIGHT | Max. | 2.90 | Oz |
| | OPERATIONAL TEMP. | | - 32 to + 85 °C | |



Electromagnetic Technologies Industries, Inc (ET Industries)
 50 Intervale Road, Boonton, NJ, 07005, USA E-Mail: sales@etiworld.com
 Phone: 001+(973)-394-1719 Fax: 001+(973)394-1710 www.etiworld.com