



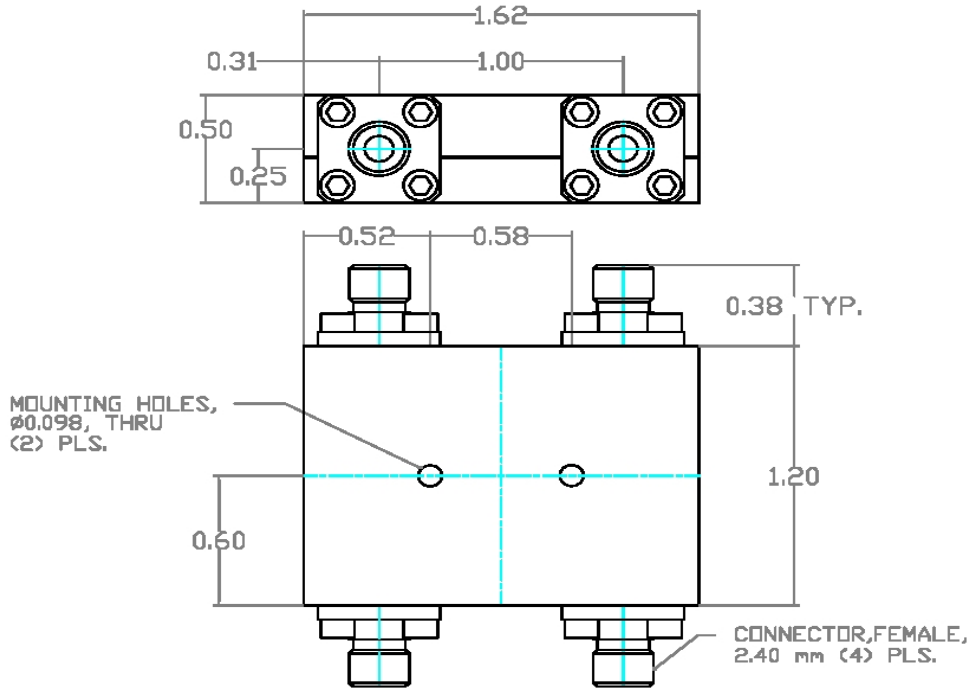
90-Degree 3dB Stripline Hybrid Coupler

REV2010.A

MODEL Q-467-90

OUTLINE DRAWING

UNIT:INCH



ELECTRICAL SPECIFICATIONS	FREQUENCY RANGE		4.0-67.0	GHz
		COUPLING	Typ.	3.0
	VSWR	Max.	1.90:1	
	AMPLITUDE BALANCE		± 1.40	dB
	PHASE BALANCE		± 10.0	Deg.
	INSERTION LOSS	Max.	2.50	dB
	ISOLATION	Min.	13.0	dB
	POWER RATING	Avg.	10.0	W
		Peak	3.0	kW
PHYSICAL SPECIFICATIONS	CONNECTOR TYPE		1.85mm Female	
	WEIGHT	Max.	2.35	Oz
	OPERATIONAL TEMP.		- 32 ~ + 85 °C	

