



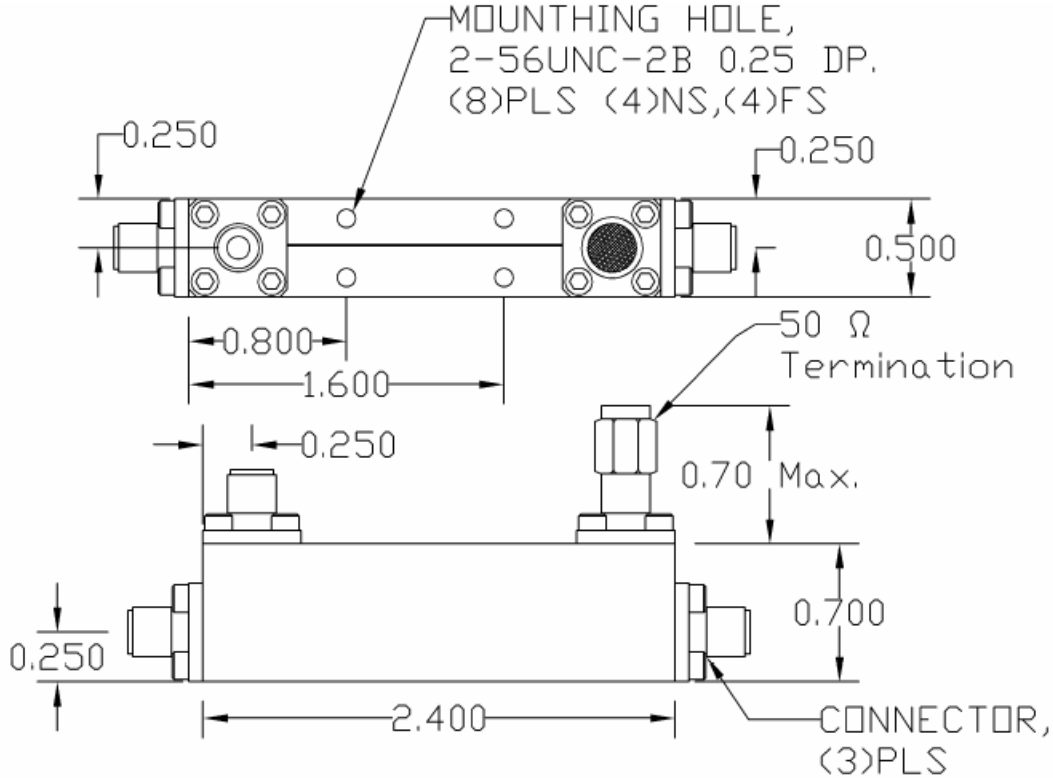
10 dB Stripline Directional Coupler

REV2021.A

MODEL C-1740-10

OUTLINE DRAWING

UNIT: INCH



ELECTRICAL SPECIFICATIONS		FREQUENCY RANGE	1.7-40.0	GHz
	NOMINAL COUPLING		10.0±0.8	dB
	FREQUENCY SENSITIVITY		±0.90	dB
	INPUT/OUTPUT PORT VSWR	Max.	1.70:1	
	COUPLED PORT VSWR	Max.	1.70:1	
	INSERTION LOSS	Max.	2.00	dB
	DIRECTIVITY	Min.	11.0	dB
	POWER RATING	Avg.	20.0	W
		Peak	3.0	kW
PHYSICAL SPECIFICATIONS		CONNECTOR TYPE	2.92mm (K) Female	
	WEIGHT	Max.	2.38	OZ
	OPERATIONAL TEMP.		- 32 to + 85 °C	



Electromagnetic Technologies Industries, Inc. (ET Industries)
 50 Intervale Road, Boonton, NJ, 07005, USA E-Mail: sales1@etiworld.com
 Phone: 001+(973)-394-1719 Fax: 001+(973)394-1710 www.etiworld.com