



OMNI DAS ANTENNA

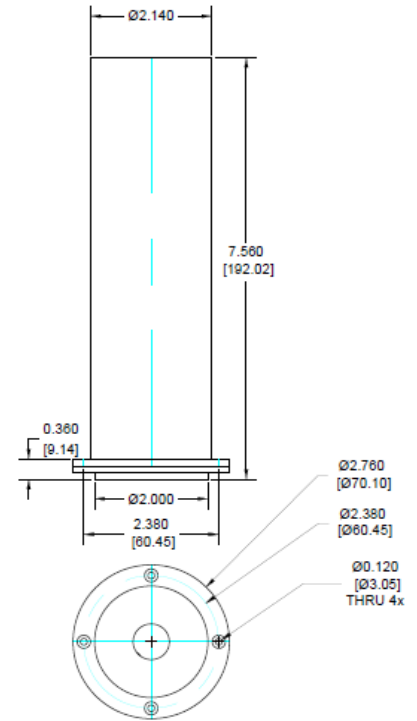
MODEL No. ET17ODA

DESCRIPTION

ET Industries presents in-building, high gain DAS antenna for cellular and Wi-Fi applications. ET17ODA is a compact, easily ceiling or wall mounted DAS Antenna providing high gain, omni-directional coverage from 500-6000MHz. The antenna's high gain provides superior coverage in AWS, PCS, LTE, CBRS, C-band and Wi-Fi bands.

TYPICAL ELECTRICAL SPECIFICATIONS

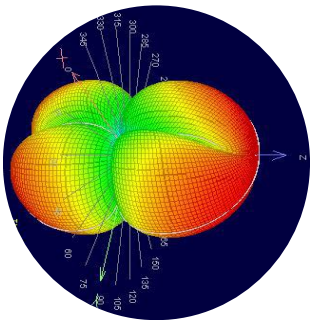
| Frequency Range | 500-6000MHz |
|----------------------|---|
| Gain | 7dBi@1800MHz (AWS) 7.5dBi@2400MHz (Wi-Fi) 8.5dBi@2600MHz (LTE) 10.5dBi@5800MHz (Wi-Fi) |
| Horizontal Beamwidth | 360° |
| Impedance | 50 Ohms |
| Max Input Power | 50 Watts |
| VSWR | <2:1 |
| Polarization | Vertical, linear |
| Connector | TBD by customer |



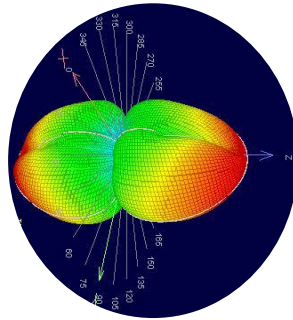
MECHANICAL SPECIFICATIONS

| | |
|-----------------------|------------------------------|
| Weight | .28 lbs. |
| Dimensions | 2" Inner Dia. x 7.56" Height |
| Radome Material | UV Resistant ABS |
| Operating Temperature | -40°C to 60°C |
| Mounting | Ceiling or Wall |

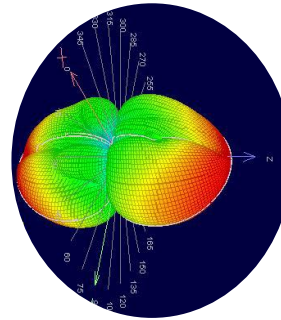
ANTENNA PATTERNS



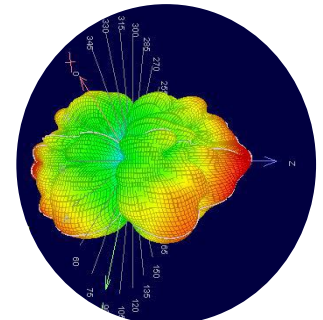
7 dBi @ 1800 MHz



7.5 dBi @ 2400 MHz



8.5 dBi @ 2600 MHz



10.5 dBi @ 5800 MHz

The Power of Applied Intelligence